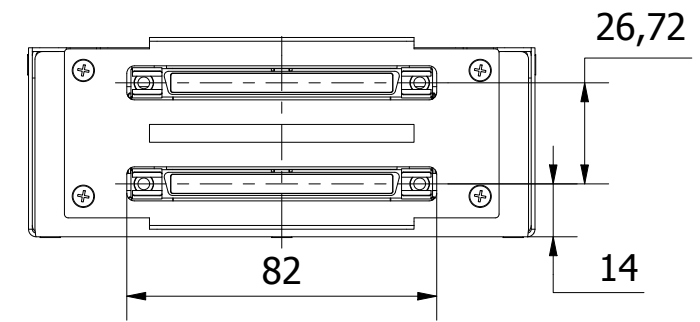
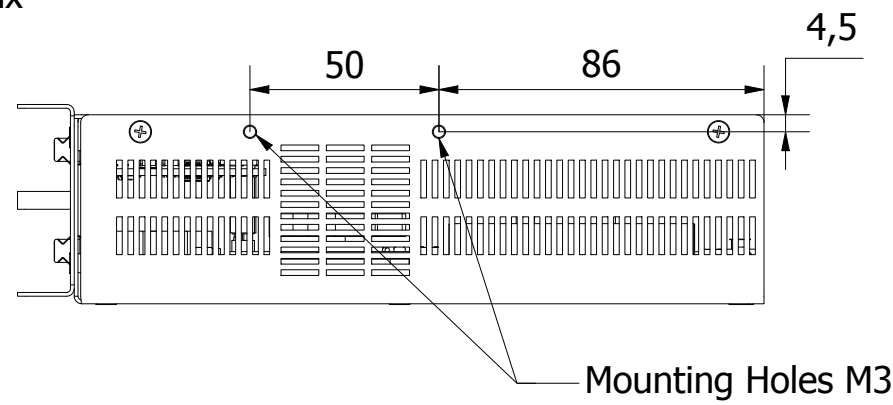
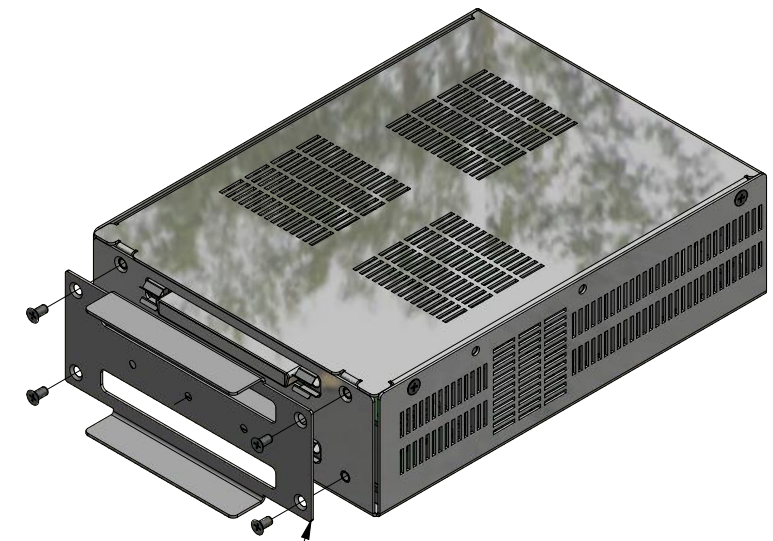
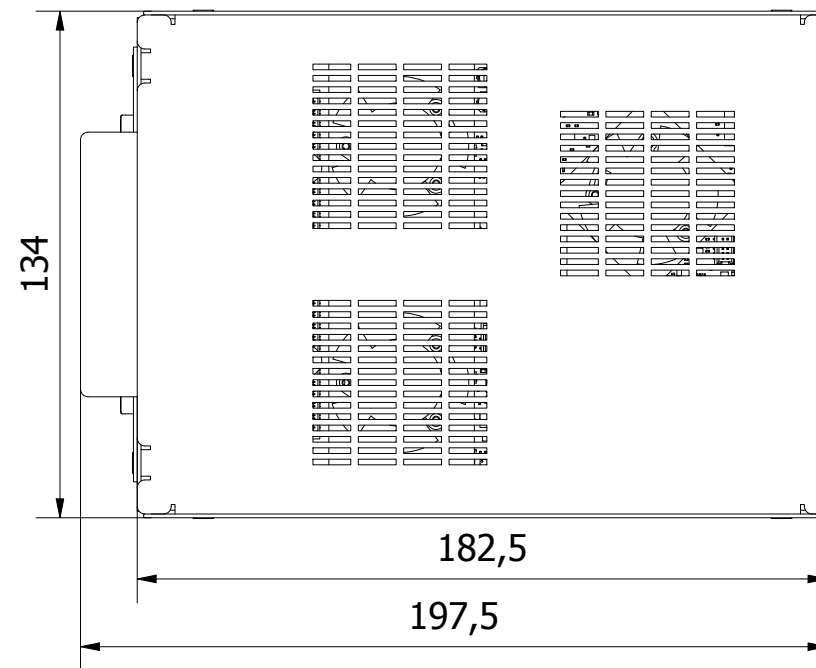
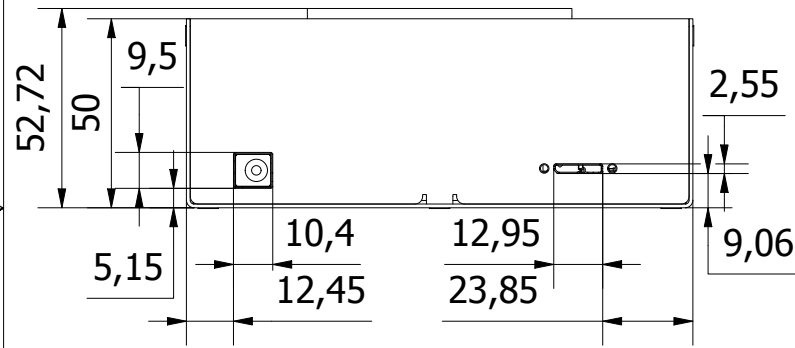


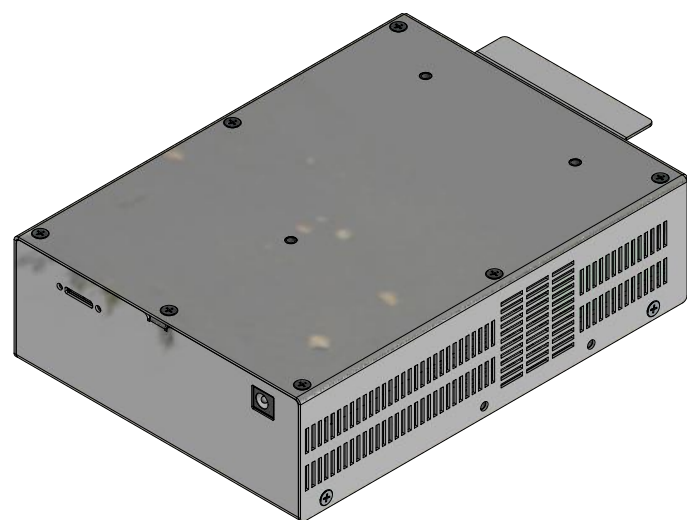
Mounting Holes M3, 5mm Deep Max



Mounting Holes M3



Can be removed/uncrewed,  
depends on final enclosure construction



Designed by L. Ciunel	Checked by G. Volkov	Approved by D. Novikov	Date	Date 8/20/2020	
TELEMED		ArtUs			
		ArtUs OEM-2H		Edition A	Sheet 1 / 1