



SpectrUs
Wireless Handheld Ultrasound Scanner
Charging Case

User Guide

1. DESCRIPTION

The charging case is an accessory of wireless ultrasound products, which charges wireless handheld ultrasound and prolongs its working time. The charging case can also be used as a wireless ultrasound storage box to protect SpectrUs scanner.

2. STRUCTURE

The charging case mainly consists of the following parts, as shown in Figure 1:

1. Cover of the charging case
2. Bottom shell of the charging case
3. Type C charging interface
4. Control button
5. Indicator status lights (from right to left LED1-LED2)
6. Indicator battery charge level lights (from right to left LED3-LED6)

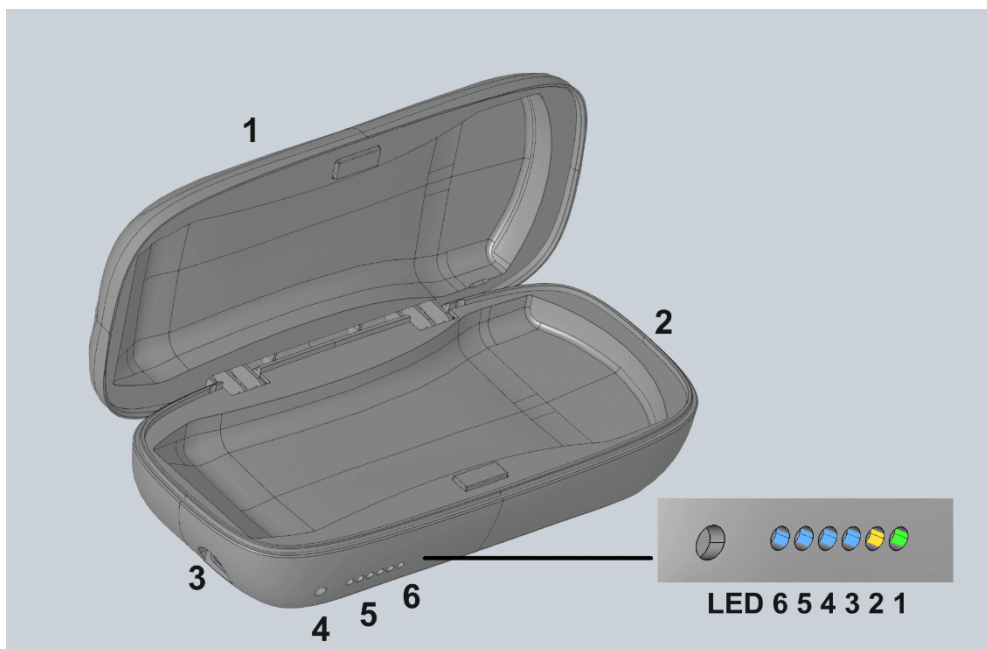


Figure 1: The parts of the charging case

3. INSTRUCTION

1. Overview

1) Place the wireless ultrasound with the button facing upwards into the charging box, and short press the button in the case to charge the wireless ultrasound.

2) Use a standard Type C charger and charging cable to plug into the Type C charging interface to charge the charging case.

2. Description of the button

1) Short press the button once (50ms-2s) to turn on the indicator light and wireless charging output.

2) Press the button twice within 1 second to turn off the indicator light and wireless charging output.

3. Description of the status indicator light

Working Status	LED1 (green)	LED2 (yellow)
Turn on	Lights up for 1 second	Lights up for 1 second
Turn off	Off	Off
Wireless ultrasound in charging	Flashes once per second	Off
Wireless ultrasound fully charged	Off	On
Faults	Flashes twice per second	Flashes twice per second

4. Description of the battery level indicator light

Wireless ultrasound in charging				
Battery level of case	LED3	LED 4	LED 5	LED 6
≥75%	On	On	On	On
50%-75%	On	On	On	Off
25%-50%	On	On	Off	Off
3%-25%	On	Off	Off	Off
<3%	Flash	Off	Off	Off

Charging case in charging				
Battery level of case	LED3	LED 4	LED 5	LED 6
Full	On	On	On	On
≥75%	On	On	On	Flash
50%-75%	On	On	Flash	Off
25%-50%	On	Flash	Off	Off
< 25%	Flash	Off	Off	Off

4. CAUTIONS

1. Avoid contacting the charging case with water or other liquids to prevent damage.
2. Avoid placing the charging box in a high-temperature or high-humidity environment to prevent damage.
3. Please use a qualified standard Type C charger and charging cable to charge the charging case to avoid charging faults or damage to the device.
4. When the wireless ultrasound is not used for a long time, it is advisable to store it in the charging case and charge the charging box and the wireless ultrasound regularly to avoid battery damage.
5. When the working status indicator light shows faults, please contact professional after-sales personnel in time.

5. MODEL TYPES

Model	Suitable for SpectrUs
SpectrUs Case C60L40	SpectrUs C60L40

6. REVISION HISTORY

Revision	Date	Changes	Author
A	2025-02-13	Initial release	A.Kovalev